

MAGNUM Sol

Dear customer,

Congratulations on the purchase of this MAGNUM product. The MAGNUM Sol panels are manufactured from high quality, durable materials. To guarantee that your product functions optimally there are a few points of attention which are described in the Installation Instructions. We can only offer you the full guarantee if the MAGNUM Sol is correctly installed in accordance with the Installation Instructions. Carefully read the instructions prior to installation and ensure that you have the correct tools and materials. The electrical installation must be carried out by a qualified electrician in accordance with IEE Regulations. Visit our website for your local MAGNUM supplier, technical helpdesk or more information and other products at magnumheating.com

Technical information

Art.nr.	Type	Output	Voltage	Amps	Max surface temp.	Measurements	Weight
600331	Sol 300	300W	230V	1.30	110 0C	590 x 590mm	5 kg
600661	Sol 600	600W	230V	2.61	110 0C	1190 x 590mm	10,1 kg
Class	: IP44						
Colour	: RAL 9016						

Area of use

The MAGNUM Sol heating panel is intended for the heating of rooms requiring free walls. The panel can be used for complete heating, or as an additional heater (e.g. over a reception desk or other work place). There are two ratings: 300W and 600W. The heating panel provides mainly radiation heating. This implies that to obtain the same experienced temperature it is possible to reduce the air temperature in the room, which saves energy. Because of the low surface temperature, max 110°C, the heating panel is suitable for rooms with relatively low ceiling height. Thanks to the location, the panel is protected from any physical contact or damage. There is no risk of being burned.

Design

The MAGNUM Sol heating panels are available for 230V and are approved by KEMA for two applications:

- Ceiling mounting: Heating cassette is directly mount to the ceiling using the included mounting brackets.
- Flush ceiling mounting: Heating cassette is intended as a lay-in panel for exposed grid.

MAGNUM Sol Heating cassettes Installation Manual

1. Points of attention

1. The heater(s) should only be wired by a competent electrician, and in accordance with existing national regulations. The appliance should be preceded by an all pole switch in accordance with existing regulations (not applicable to versions with a cord and plug).
2. Mounting height above floor shall be at least 1,8 m, lateral distance to wall shall be at least 50 mm. (See fig 1)
3. One or more units have to be connected to power line with a differential circuit breaker rated at 30 mA. The cable section has to be at least 1,5 mm².
4. Units with cable and plug can be interconnected using appropriate connection materials.
5. The maximum power in interconnection is 2100W. If the units are to be extra insulated, then this insulation must not exceed a value of R=5 m²K/W.
6. The appliance is not to be used by children or persons with reduced physical, sensory or mental capabilities, or lack of experience and knowledge, unless they have been given supervision or instruction
7. Children being supervised not to play with the appliance.
8. Allow disconnection of the appliance after installation, by accessible plug or a switch in the

fixed wiring, unless a switch complying with a contact separation in all poles of at least 3 mm. 9. If the supply cord is damaged, it must be replaced by the manufacturer, its service agent or similarly qualified persons in order to avoid a hazard.

WARNING: This heater is not equipped with a device to control the room temperature. Do not use this heater in small rooms when they are occupied by persons not capable of leaving the room on their own, unless constant supervision is provided.

2. Mounting

2.1 Integrated in ceiling, put in exposed grid (See fig A and B)

1. Place the cassette in the required ceiling square. Minimum design height "H" for dismantling, T-profile 32x15: 150 mm, T-profile 38x24: 200 mm. NOTE! Avoid fixing vertical bars in the T-profile where a heating panel is to be installed. The panel fills out the whole square.
2. Connect the panel.

3. The last page in this mounting instruction is to be filled out and fixed adjacent to the distribution board and it has to contain (drawing) the locations of the heating units.

2.2 Bracket mounting (See fig A and C)

1. When mounting in gypsum board, make sure that the panel frame is anchored in the beam behind. During long-term high temperatures the strength of the board is reduced.
2. Measure, drill and screw the panel frame to the ceiling.
3. Hook the panel brackets to the panel frame on the ceiling.
4. Connect the panel.

3. Schedule or pictures of the installation

The Middle page in this mounting instruction is to be filled out and fixed adjacent to the distribution board and it has to contain (pictures or drawing) the locations of the heating units distribution board and it has to contain (pictures or drawing) the locations of the heating units.

Fig A Minimum distance

A: Ceiling 80mm C: Obstacle 500mm
B: Wall 50mm D: Floor 1800mm

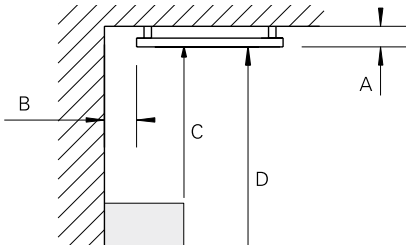


Fig B Integrated in ceiling

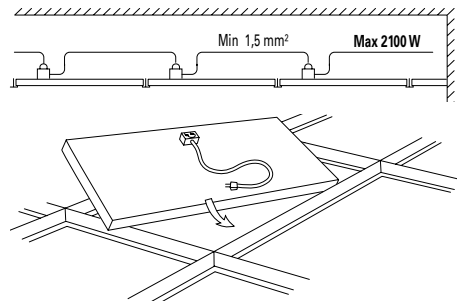
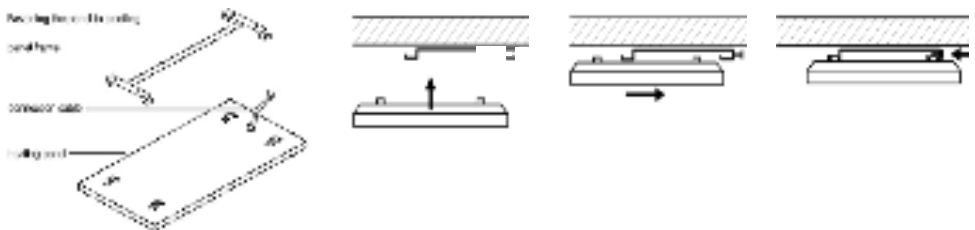


Fig C Bracket mounting





C&F Technics
MAGNUM Heating B.V.
Slabbeoordweg 41
4691RZ Tholen

T +31(0)166-609 300
F +31(0)166-604 877
E info@magnumheating.nl
W magnumheating.nl