

MAGNUM Outdoor Control

Connection materials for MAGNUM Tracing

MT - Connection unit MTR, MTGH & MTHW

MT - Connection unit MTM & MTW

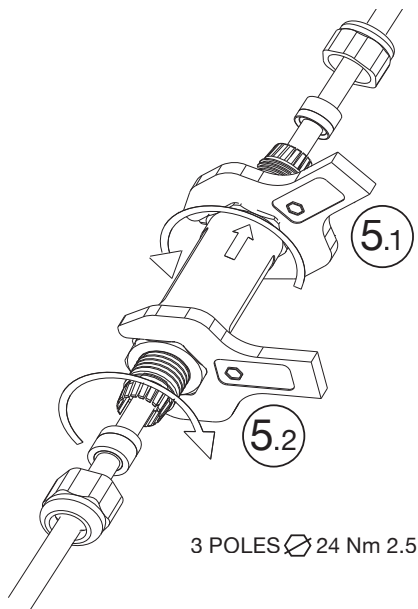
Connector (straight) for connecting or interconnecting tracing cables. Delivered with 1 x 160103 MT heatshrink insulation end splice kit.



Connection cable



Extend cable



MT - Connection unit MTR, MTGH & MTHW

MT - Connection unit MTM & MTW

Specifications

System type	MT - Connection unit
Dimensions	159710: 32 mm x 130 mm 159711: 26,5 mm x 120 mm
Class	IP68 / 5 Bar
T marking	T85°C
Operating temp.	-40°C up to 125°C



Art.nr.	Description
159710	MAGNUM MT - Connecting Unit for MTR, MTGH and MTHW
159711	MAGNUM MT - Connection Unit for MTM & MTW