

1. BEFORE STARTING

PRODUCT DESCRIPTION: The mSRW-01 controller allows control of roller blinds in your home, remotely via an app and locally by means of roller blind buttons. Users can check the positions of the roller blinds. They can also be closed and opened remotely.

2. WARNING!

CAUTION The device must be connected to power supply in accordance with applicable electrical and safety standards or regulations. See this User Manual for the wiring instructions.

3. NOTICE

When installing this product, verify that this device is not directly exposed to water or operation at high relative humidity. The temperature at the installation site must be between -10°C and +55°C.

4. TECHNICAL SPECIFICATIONS

Table with technical specifications for mSRW-01, including Rated supply voltage (230V ~, 50/60 Hz), Rated power consumption (1.2 W), Transmission (Wi-Fi 2.4 GHz b/g/n), Maximum emitted power (20dB e.i.r.p.), Maximum transmit power (ERP < 20 mW).

5. GETTING STARTED IN 5 STEPS

LET'S BEGIN



download, install and launch the supla mobile app

STEP 1 install the app

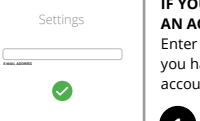
5.1. INSTALL THE SUPLA MOBILE APP



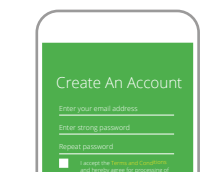
STEP 2 create an account / log in

5.2. CREATING A SUPLA ACCOUNT

IF YOU DO NOT HAVE AN ACCOUNT Create it by tapping "Create Account" in your app.



IF YOU ALREADY HAVE AN ACCOUNT Enter the e-mail address which you have used to create the account.

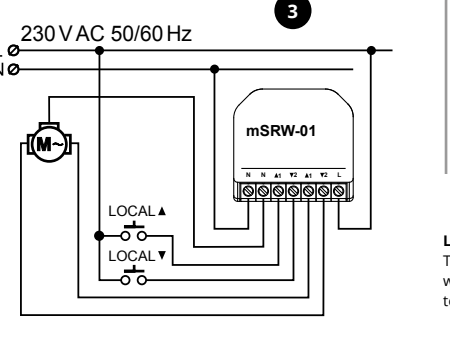


Confirm all information by tapping "create an account".

STEP 3 connect the power input wiring

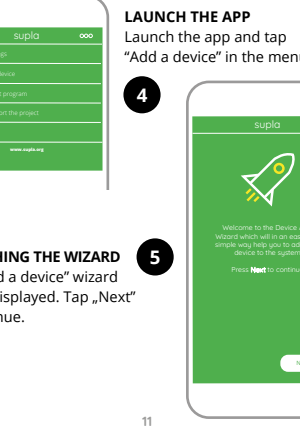
5.3. WIRING CONNECTION DIAGRAM

Wire the mSRW-01 to the power supply system as shown in the diagram.



STEP 4 add the device AUTOMATICALLY

5.4. ADDING THE DEVICE AUTOMATICALLY



Wi-Fi roller blinds controller supla mSRW-01

NETWORK PASSWORD Choose a WiFi network to enable Internet connectivity for the device.

NEW DEVICE REGISTRATION DISABLED

CONNECTING THE DEVICE Wire the power supply to the device as shown in the diagram.

CONNECTIONS

PL

Sterownik rolet Wi-Fi supla mSRW-01

1. ZANIM ZACZNIEZ

OPIS PRODUKTU: Sterownik mSRW-01 pozwala na sterowanie roletami z naszymi aplikacjami.

CECHY: Sterowacz radiowa Wi-Fi 2.4 GHz, automatyczna kalibracja, komunikacja z chmurą.

DE

Wi-Fi-Steuereinheit für Rollläden supla mSRW-01

1. VOR ERSTEM GEBRAUCH

PRODUKTBEWEISUNG: Mit der Steuereinheit mSRW-01 lassen sich die Rollläden unter Verwendung der App im Rahmen der Fernsteuerung steuern.

EIGENSCHAFTEN: Funkkommunikation Wi-Fi 2.4 GHz, Automatische Kalibrierung, Kommunikation mit der Cloud.

RUS

Контроллер роллет Wi-Fi supla mSRW-01

1. ПРЕЖДЕ, ЧЕМ НАЧАТЬ ОПИСАНИЕ ИЗДЕЛИЯ: mSRW-01 позволяет управлять роллетами в доме как удаленно, с помощью приложения, так и локально, с помощью кнопки движения роллет.

ХАРАКТЕРИСТИКИ: Работает на Wi-Fi 2.4 GHz, Автоматическая калибровка, связь с облаком, возможность удаленного управления роллетами с помощью приложения для управления.

УСТРОЙСТВО

5.5. ФУНКЦИИ ПРИЛОЖЕНИЯ

5.5. ФУНКЦИИ ПРИЛОЖЕНИЯ

5.5. ФУНКЦИИ ПРИЛОЖЕНИЯ

5.5. ФУНКЦИИ ПРИЛОЖЕНИЯ

5.5. ФУНКЦИИ ПРИЛОЖЕНИЯ

5.5. ФУНКЦИИ ПРИЛОЖЕНИЯ

6. RESETTING THE DEVICE

RESETTING THE DEVICE TO DEFAULT SETTINGS

7. MORE INFORMATION

RESETTING THE DEVICE TO DEFAULT SETTINGS

8. WARRANTY

8. WARRANTY

8. WARRANTY

8. WARRANTY

8. WARRANTY

8. WARRANTY

8. WARRANTY

8. WARRANTY

8. WARRANTY

8. WARRANTY

8. WARRANTY

8. WARRANTY

8. WARRANTY

8. WARRANTY

8. WARRANTY

8. WARRANTY

8. WARRANTY

8. WARRANTY

8. WARRANTY

8. WARRANTY

8. WARRANTY

8. WARRANTY

6. RESETTING THE DEVICE

RESETTING THE DEVICE TO DEFAULT SETTINGS

7. MORE INFORMATION

RESETTING THE DEVICE TO DEFAULT SETTINGS

8. WARRANTY

8. WARRANTY

8. WARRANTY

8. WARRANTY

8. WARRANTY

8. WARRANTY

8. WARRANTY

8. WARRANTY

8. WARRANTY

8. WARRANTY

8. WARRANTY

8. WARRANTY

8. WARRANTY

8. WARRANTY

8. WARRANTY

8. WARRANTY

8. WARRANTY

8. WARRANTY

8. WARRANTY

8. WARRANTY

8. WARRANTY

8. WARRANTY

6. RESETTING THE DEVICE

RESETTING THE DEVICE TO DEFAULT SETTINGS

7. MORE INFORMATION

RESETTING THE DEVICE TO DEFAULT SETTINGS

8. WARRANTY

8. WARRANTY

8. WARRANTY

8. WARRANTY

8. WARRANTY

8. WARRANTY

8. WARRANTY

8. WARRANTY

8. WARRANTY

8. WARRANTY

8. WARRANTY

8. WARRANTY

8. WARRANTY

8. WARRANTY

8. WARRANTY

8. WARRANTY

8. WARRANTY

8. WARRANTY

8. WARRANTY

8. WARRANTY

8. WARRANTY

8. WARRANTY

6. RESETTING THE DEVICE

RESETTING THE DEVICE TO DEFAULT SETTINGS

7. MORE INFORMATION

RESETTING THE DEVICE TO DEFAULT SETTINGS

8. WARRANTY

8. WARRANTY

8. WARRANTY

8. WARRANTY

8. WARRANTY

8. WARRANTY

8. WARRANTY

8. WARRANTY

8. WARRANTY

8. WARRANTY

8. WARRANTY

8. WARRANTY

8. WARRANTY

8. WARRANTY

8. WARRANTY

8. WARRANTY

8. WARRANTY

8. WARRANTY

8. WARRANTY

8. WARRANTY

8. WARRANTY

8. WARRANTY

6. RESETTING THE DEVICE

RESETTING THE DEVICE TO DEFAULT SETTINGS

7. MORE INFORMATION

RESETTING THE DEVICE TO DEFAULT SETTINGS

8. WARRANTY

8. WARRANTY

8. WARRANTY

8. WARRANTY

8. WARRANTY

8. WARRANTY

8. WARRANTY

8. WARRANTY

8. WARRANTY

8. WARRANTY

8. WARRANTY

8. WARRANTY

8. WARRANTY

8. WARRANTY

8. WARRANTY

8. WARRANTY

8. WARRANTY

8. WARRANTY

8. WARRANTY

8. WARRANTY

8. WARRANTY

8. WARRANTY

6. RESETTING THE DEVICE

RESETTING THE DEVICE TO DEFAULT SETTINGS

7. MORE INFORMATION

RESETTING THE DEVICE TO DEFAULT SETTINGS

8. WARRANTY

8. WARRANTY

8. WARRANTY

8. WARRANTY

8. WARRANTY

8. WARRANTY

8. WARRANTY

8. WARRANTY

8. WARRANTY

8. WARRANTY

8. WARRANTY

8. WARRANTY

8. WARRANTY

8. WARRANTY

8. WARRANTY

8. WARRANTY

8. WARRANTY

8. WARRANTY

8. WARRANTY

8. WARRANTY

8. WARRANTY

8. WARRANTY

6. RESETTING THE DEVICE

RESETTING THE DEVICE TO DEFAULT SETTINGS

7. MORE INFORMATION

RESETTING THE DEVICE TO DEFAULT SETTINGS

8. WARRANTY

8. WARRANTY

8. WARRANTY

8. WARRANTY

8. WARRANTY

8. WARRANTY

8. WARRANTY

8. WARRANTY

8. WARRANTY

8. WARRANTY

8. WARRANTY

8. WARRANTY

8. WARRANTY

8. WARRANTY

8. WARRANTY

8. WARRANTY

8. WARRANTY

8. WARRANTY

8. WARRANTY

8. WARRANTY

8. WARRANTY

8. WARRANTY

6. RESETTING THE DEVICE

RESETTING THE DEVICE TO DEFAULT SETTINGS

7. MORE INFORMATION

RESETTING THE DEVICE TO DEFAULT SETTINGS

8. WARRANTY

8. WARRANTY

8. WARRANTY

8. WARRANTY

8. WARRANTY

8. WARRANTY

8. WARRANTY

8. WARRANTY

8. WARRANTY

8. WARRANTY

8. WARRANTY

8. WARRANTY

8. WARRANTY

8. WARRANTY

8. WARRANTY

8. WARRANTY

8. WARRANTY

8. WARRANTY

8. WARRANTY

8. WARRANTY

8. WARRANTY

8. WARRANTY

6. RESETTING THE DEVICE

RESETTING THE DEVICE TO DEFAULT SETTINGS

7. MORE INFORMATION

RESETTING THE DEVICE TO DEFAULT SETTINGS

8. WARRANTY

8. WARRANTY

8. WARRANTY

8. WARRANTY

8. WARRANTY

8. WARRANTY

8. WARRANTY

8. WARRANTY

8. WARRANTY

8. WARRANTY

8. WARRANTY

8. WARRANTY

8. WARRANTY

8. WARRANTY

8. WARRANTY

8. WARRANTY

8. WARRANTY

8. WARRANTY

8. WARRANTY

8. WARRANTY

8. WARRANTY

8. WARRANTY

6. RESETTING THE DEVICE

RESETTING THE DEVICE TO DEFAULT SETTINGS

7. MORE INFORMATION

RESETTING THE DEVICE TO DEFAULT SETTINGS

8. WARRANTY

8. WARRANTY

8. WARRANTY



