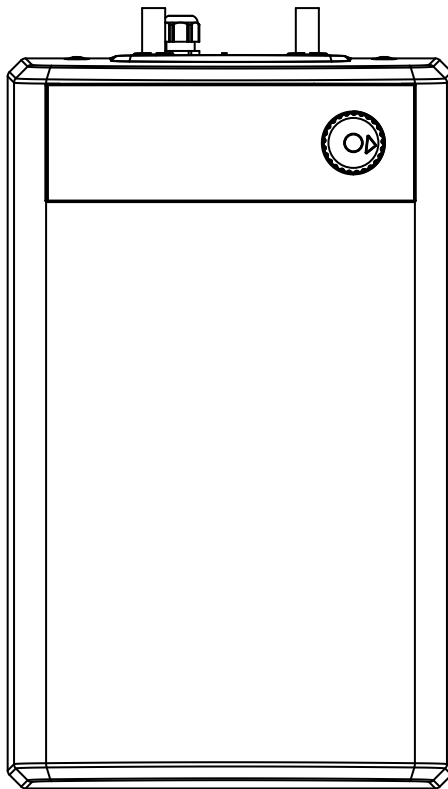


HEATRAESADIA

SMARTER | CLEANER | WARMER

Streamline Undersink

Fitting Instructions and User Guide



Important

Please read & understand all these instructions before commencing installation.

Please leave this manual with the customer for future reference

CONTENTS

SECTION	PAGE
1.0 INTRODUCTION	3
2.0 TECHNICAL SPECIFICATIONS	4
3.0 INSTALLATION	6
4.0 COMMISSIONING	10
5.0 EXPLANATION TO USER	11
6.0 MAINTENANCE	12
7.0 FAULT FINDING	14
8.0 SPARE PARTS	15
9.0 GUARANTEE	17
10.0 ENVIRONMENTAL INFORMATION	17
11.0 COMMISSIONING RECORD	18
12.0 SERVICE RECORD	19
13.0 SPARES STOCKISTS	20

1.0 INTRODUCTION

Thank you for purchasing a Heatrae Sadia Streamline Undersink Vented Water Heater. The Streamline is manufactured in the UK to the highest standards and has been designed to meet all the latest relevant safety specifications.

1.1 IMPORTANT POINTS

The Streamline must be installed and commissioned by a competent person. Please read and understand these instructions before installing the Streamline. Following installation and commissioning, the operation of the Streamline should be explained to the user and these instructions left with them for future reference.

This appliance can be used by children aged from 8 years and above and persons with reduced physical sensory or mental capabilities or lack of experience and knowledge if they have been given supervision or instruction concerning use of the appliance in a safe way and understand the hazards involved. Children shall not play with the appliance. Cleaning and user maintenance shall not be made by children without supervision.

Children must be supervised to ensure they do not play with the appliance

1.2 PACK CONTENTS

Before commencing installation check that all the following components have been supplied with your Streamline Undersink Water Heater:

- Wall Mounting Bracket
- Fixing Plugs and Screws
- Plumbing Connections (x2)
- Thermostat Knob
- Flow Restrictor

The HWA Charter Statement requires that all members adhere to the following:

- To supply fit for purpose products clearly and honestly described.
- To supply products that meet, or exceed appropriate standards and building and water regulations.
- To provide pre and post sales technical support.
- To provide clear and concise warranty details to customers.

2.0 TECHNICAL SPECIFICATIONS

Electrical Rating	1.0kW @ 240V~ / 0.9kW @230V~ 3.0kW @ 240V~ / 2.7kW @ 230V~
Capacity	7 and 10 litres
Weight (7 Litre)	3.4kg (empty), 10.4kg (full)
Weight (10 Litre)	3.8kg (empty), 13.8kg (full)
Enclosure rated	IPX4
Operating Pressure	0 MPa (0 bar)

TABLE 01: PERFORMANCE DATA

MODEL	HEAT UP (MINUTES)	HEAT LOSS (kWhr/24hr)
7 Litre 1kW	25	0.5
7 Litre 3kW	9	0.5
10 Litre 1kW	35	0.6
10 Litre 3kW	12	0.6

Supplier's name or trade mark	Streamline			
	7/1 US	7/3 US	10/1 US	10/3 US
Supplier's model identifier	7/1 US	7/3 US	10/1 US	10/3 US
Storage volume V in litres	7.0	7.0	10.0	10.0
Mixed water at 40°C V40 in litres	11	11	15	15
The declared load profile	XXS	XXS	XXS	XXS
The water heating energy efficiency class of the model	B	B	B	B
The water heating energy efficiency in %	33.7	33.7	33.1	33.1
The annual electricity consumption in kWh	547	547	558	558
Daily fuel consumption in kWh	2.61	2.61	2.67	2.67
The thermostat temperature settings of the water heater, as placed on the market by the supplier	60°C			
Specific precautions that shall be taken when the water heater is assembled, installed or maintained and disposed of at end of life	See Section 2 to 7			

Table: Technical parameters in accordance with European Commission regulations 814/2013 and 812/2013

FIGURE 01: IMPORTANT FEATURES

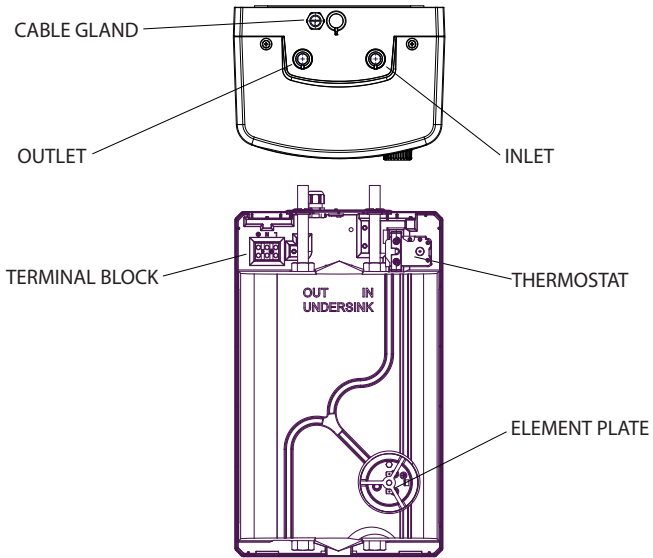
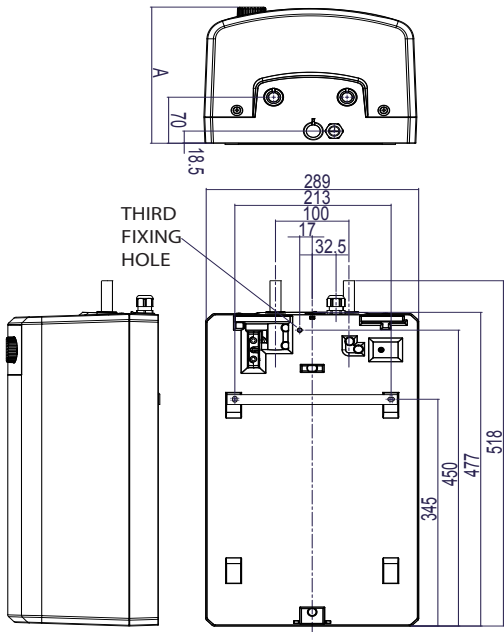


FIGURE 02: DIMENSIONS (IN mm)



DIMENSION A

7 LITRE	178
10 LITRE	278

3.0 INSTALLATION

WARNING: THE STREAMLINE IS AN OPEN OUTLET WATER HEATER. THE OUTLET OF THE STREAMLINE ACTS AS A VENT AND MUST ONLY BE CONNECTED TO HEATRAE SADIA VENTED TAPS. THESE FITTINGS MUST NEVER BE BLOCKED, RESTRICTED OR MODIFIED, IN ANY WAY.

3.1 GENERAL

The Streamline must be vertically wall mounted using the wall bracket supplied. The water inlet connection must always be at the top of the Streamline on the right hand side.

3.2 LOCATION AND FIXING

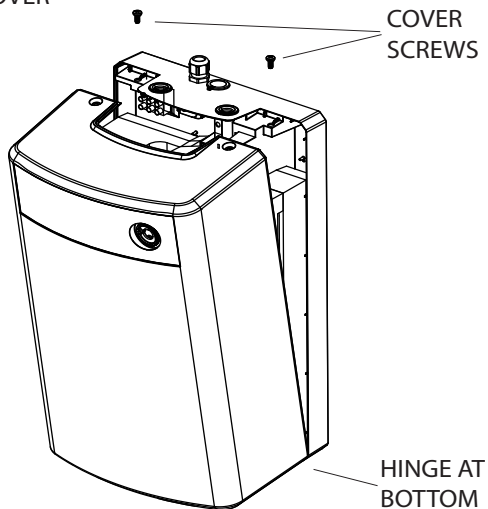
1. Ensure that the wall can support the full weight of the Streamline (see p.4) and that there are no hidden services (electricity, gas or water) below the surface of the wall.
2. DO NOT install the Streamline where it may freeze.
3. Select a suitable location for the Streamline. Allow 100mm access above and 50mm below for maintenance.

NOTE: National Wiring Rules may contain restrictions concerning the installation of the Streamline in bathrooms.

The installation must be carried out in accordance with the relevant requirements of:-

- The appropriate Building Regulations, either the Building Regulations, the Building Regulations (Scotland) or Building Regulations (Northern Ireland)
- The Water Supply (Water Fittings) Regulations in England & Wales or Water Byelaws in Scotland

FIGURE 03 - FRONT COVER



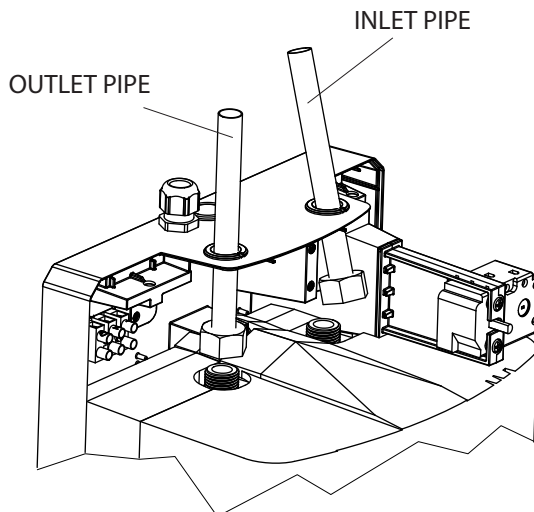
3.3 FIXING

1. Mark the position of the Streamline, and the position of the fixing bracket (see figure 2, p5).
2. Fix the wall bracket using the two larger fixing plugs and screws provided.
3. Remove the cover of the Streamline by removing the two screws from the top face and rotating the cover about the bottom edge.
4. Hang the Streamline on the wall bracket and mark the position of the fixing hole (see figure 2, p5)
5. Remove the Streamline, drill the third fixing hole and fit the third (smallest) fixing plug.
6. Hang the Streamline on the wall bracket again and fix securely with the third (smallest) fixing screw provided.

3.4 ADAPTOR PIPE ASSEMBLY

1. 2 x adapter pipes are supplied with the Streamline to make inlet and outlet connections.
2. Pass the pipes through the backplate and grommets (from the inside of the backplate).
3. Fit the 1/2" BSP nuts to the 1/2" BSP bosses on the inner container and tighten.
4. Ensure the grommets are reseated (snapped to the backplate).

FIGURE 04 - INLET & OUTLET PIPES



3.5 PLUMBING

WARNING: THE FLOW RESTRICTOR MUST BE FITTED TO THE INLET SUPPLY TO AVOID DAMAGE TO THE UNIT.

1. Plumb the Streamline to the cold water main via a VENTED tap using 15mm diameter copper or plastic pipe. Water pressure should be no lower than 0.034MPa (0.34bar) and no higher than 0.2MPa (2bar) if mains pressure is higher than 2 bar a Pressure Reducing Valve must be fitted, SEE PRV WARNING BELOW.
2. Make connections to the adaptor pipes using compression or push fit connectors. The inlet is on the right, the outlet is on the left (see figure 5 below).
3. The hot outlet maximum pipe work run 1m and should rise continually.
4. Fit the flow restrictor in the incoming supply (see figure 5 below)

NOTE: It is recommended that a WRAS listed isolating valve (not supplied) is fitted on the cold water supply to the heater for servicing.

PRV WARNING: Where the inlet supply to a PRV is routed through a heated space and is fitted with a check valve or other fitting that would prevent back flow, high pressures can be experienced in the inlet pipe due to warming that can cause damage to the PRV or other fittings on the inlet supply. In these circumstances, the installation of a means to accommodate expansion and thus limit the pressure rise in the inlet pipe is recommended

FIGURE 05 - PLUMBING DIAGRAM

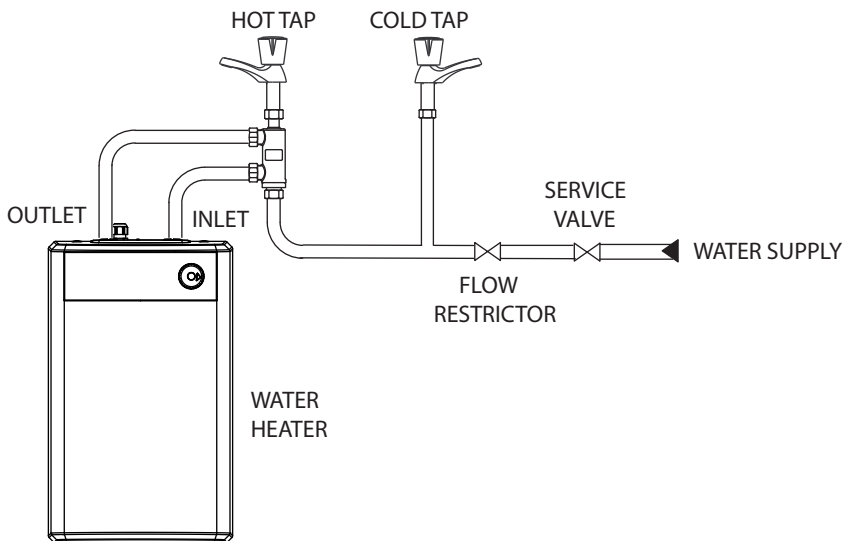
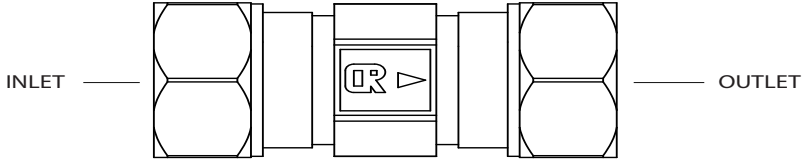


FIGURE 06 - FLOW RESTRICTOR



3.6 ELECTRICAL

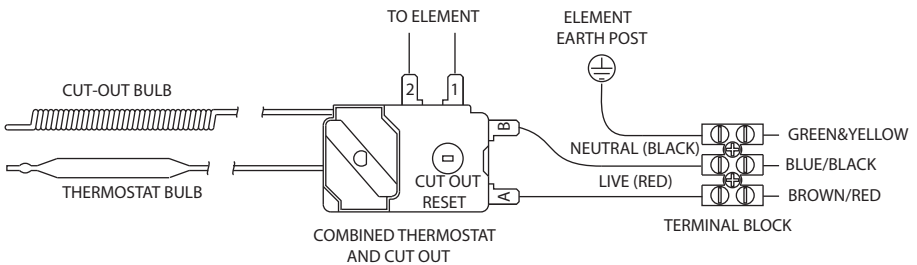
WARNING: THIS APPLIANCE MUST BE EARTHED. IT IS SUITABLE FOR A.C. SUPPLY ONLY.

ELECTRICAL INSTALLATION MUST BE CARRIED OUT BY A COMPETENT ELECTRICIAN AND BE IN ACCORDANCE WITH THE LATEST I.E.E. WIRING REGULATIONS.

ENSURE THE ELECTRICAL SUPPLY IS SWITCHED OFF BEFORE MAKING ANY CONNECTIONS TO THE STREAMLINE.

1. Connect the Streamline to a 230V or 240V a.c. earthed supply only.
2. A double pole isolating switch having a contact separation of at least 3mm in each pole must be incorporated in the supply.
3. The Streamline must be fitted with a 3 core 1.5mm² flexible cable. The cable must be fitted through the cable gland and connections made to the internal terminal block as follows:
 BROWN or RED to terminal marked "L"
 BLUE or BLACK to terminal marked "N"
 GREEN/YELLOW or GREEN wire to terminal marked

FIGURE 07 - WIRING DIAGRAM



4.0 COMMISSIONING

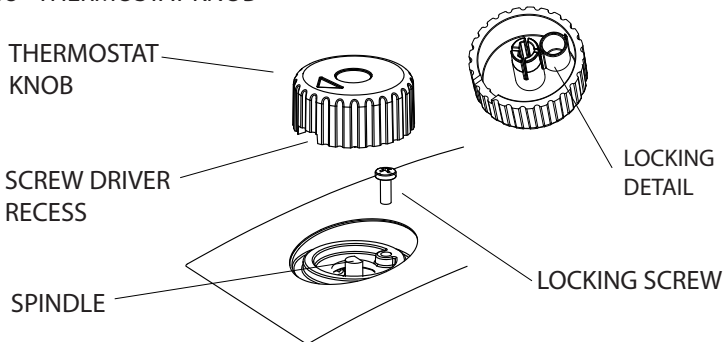
DO NOT SWITCH ON THE ELECTRICAL SUPPLY UNTIL THE STREAMLINE HAS BEEN FILLED WITH WATER AND CHECKED FOR LEAKS.

1. Check all water and electrical connections are tight.
2. Check that the thermostat and cutout capillaries are located correctly in the element pockets.
3. Switch on the water supply and open the hot tap. Leave the water flowing for a short while to flush out the pipework.
4. Close the hot tap and check the system for leaks.
5. Refit the front cover and x2 securing screws.
6. Fit the thermostat knob (see figure 8, below).
7. Set the temperature. The maximum setting is 70°C and the minimum is 5°C. Rotate the thermostat knob clockwise to increase the temperature and anticlockwise to decrease the temperature. Settings above 60°C are recommended.
8. Switch the power on and check the water heats (see table 1, p.4 for heat up times).
9. Check the temperature and adjust if needed.

NOTE:

- The thermostat can be locked in position to set the water temperature to 40°C.
- Remove the locking screw from the inside of the front cover and refit it to the outside of the front cover (see figure 8, below).
- Align the locking detail on the inside of the thermostat knob to the locking screw when fitting the thermostat knob in place.

FIGURE 08 - THERMOSTAT KNOB



5.0 EXPLANATION TO USER

Following Installation and Commissioning of the water heater the operation should be fully explained to the user.

5.1 HOT WATER

1. Indicate the location of the water heater and identify the outlets to which it is connected.
2. Explain how to adjust the temperature and confirm whether the temperature is locked or not.
3. Explain that the water in the Streamline will expand during heating causing the tap to drip. This is normal and is not a fault with the Streamline.

5.2 SYSTEM MALFUNCTION

1. Explain how to isolate electrical and water supplies in case of a fault.
2. Explain that a qualified plumber and/or electrician should be contacted if there is a fault.
3. Explain how to identify/check basic faults.

5.3 SYSTEM MAINTENANCE

Explain the necessity to carry out regular maintenance of the water heater to ensure its continued safe and efficient operation.

5.4 LITERATURE

Leave the Fitting Instructions with the user.

6.0 MAINTENANCE

WARNING: DISCONNECT FROM ALL ELECTRICAL SUPPLIES BEFORE BEGINNING ANY WORK ON THE STREAMLINE. WATER CONTAINED IN THE WATER HEATER MAY BE VERY HOT!

To ensure the continued safe and efficient operation of the Streamline it should be regularly maintained.

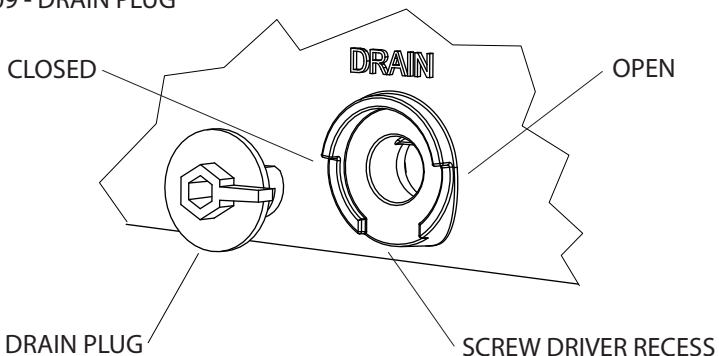
Maintenance should be carried out by a competent person and any replacement parts used should be Heatrae Sadia 'Streamline' spare parts.

Little maintenance is required, however in hard water areas the Streamline may require periodic descaling to ensure efficient operation.

6.1 DRAIN THE STREAMLINE

1. Ensure the water and power supplies to the Streamline are switched off and the water is cold.
2. Remove the thermostat knob (use a medium sized flat bladed screwdriver to carefully prise the thermostat knob from the front cover).
3. Remove the front cover (see section 3.3.3, p.7).
4. Disconnect the wires from the Element Plate Assembly (EPA).
5. Remove the capillary cut out and thermostat bulbs from the EPA.
6. Remove the front insulation.
7. Use a 5mm allen key to rotate the drain plug in an anti clockwise direction through 180 degrees.
8. Use a medium sized flat bladed screw driver to carefully prise the drain plug from the inner container.

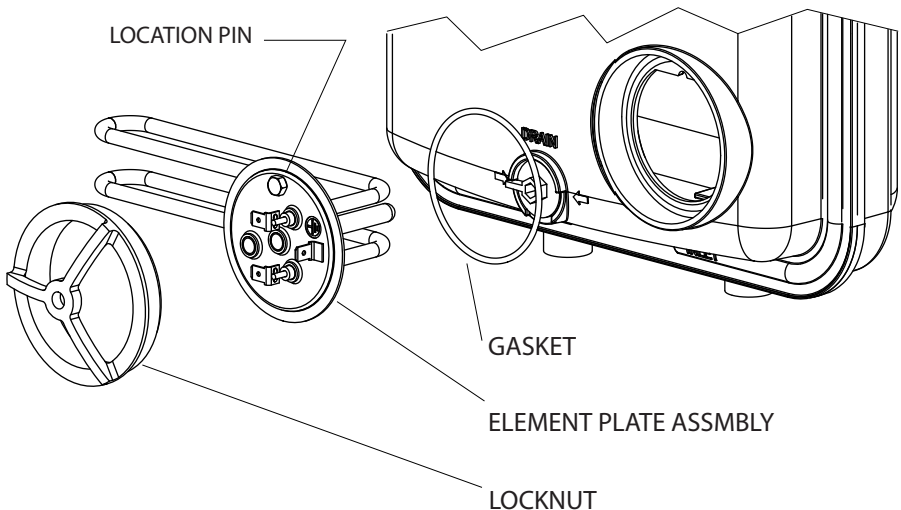
FIGURE 09 - DRAIN PLUG



6.2 DESCALE THE STREAMLINE

1. Drain the Streamline (see section 6.1, p12).
2. Undo the locknut (rotate the locknut anticlockwise until it is clear of the inner container)
3. Remove the Element Plate assembly (EPA) and gasket.
4. Remove scale from the element and the inner container.
5. Renew the gasket.
6. Refit to EPA and locknut to the inner container (ensure the EPA is aligned correctly. The element should be horizontal. A location pin is included in the EPA to ensure correct alignment).
7. Refit the locknut (rotate the locknut clockwise until the EPA is held securely in place. NOTE: When tight, one of the locknut spokes should be at '9 O' Clock' and central to the live and neutral connections).
8. Refit the drain plug (push the drain plug fully into the inner container and rotate clockwise 180 degrees using a 5mm allen key).
9. Refit the insulation.
10. Refit the wires and capillary bulbs (ensure the wires are re seated in the insulation tracks and the capillary cut out and thermostat bulbs are fully pushed home).
11. Recommission the Streamline (see section 4, p10).

FIGURE 10 - ELEMENT PLATE ASSEMBLY



7.0 FAULT FINDING

WARNING: DISCONNECT FROM ALL ELECTRICAL SUPPLIES BEFORE BEGINNING ANY WORK ON THE WATER HEATER. WATER CONTAINED IN THE WATER HEATER MAY BE VERY HOT!

The Streamline should give trouble free operation, however if a problem occurs, the table below should enable most faults to be identified with ease.

Fault finding should be carried out by a competent person and any replacement parts used should be authorised Heatrea Sadia spare parts.

For any faults that cannot be identified using the fault finding table, please contact Heatrae Sadia Service Department on 0344 871 1530

TABLE 02: FAULT FINDING

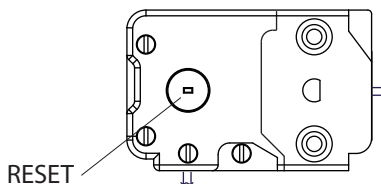
SYMPTOM	PROBABLE CAUSE	ACTION
No water	Mains water not turned on.	Check supply and turn on.
	Insufficient mains pressure.	Check supply.
	Blockage in tap.	Clean tap.
No hot water	No water in heater.	Fill water heater.
	Cut out has operated.	Reset cut out.
	Faulty thermostat.	Replace thermostat.
	Faulty element.	Replace element.
Water is too hot	Thermostat is set too high.	Adjust thermostat.
	Faulty thermostat.	Replace thermostat.

NOTE: THE WATER IN THE STREAMLINE WILL EXPAND DURING HEATING CAUSING THE TAP TO DRIP. THIS IS NORMAL AND IS NOT A FAULT WITH THE STREAMLINE.

7.1 CUT OUT RESET

1. Disconnect the electrical supply.
2. Remove the front cover (see section 3, p6).
3. Depress the red button (see figure 11, p.15).
4. Recommission the Streamline (see section 4, p.10).
5. If the cut out continues to operate contact the Heatrae Sadia Service Team (see p20 for contact details).

FIGURE 11 - OVER TEMPERATURE CUT OUT



8.0 SPARE PARTS

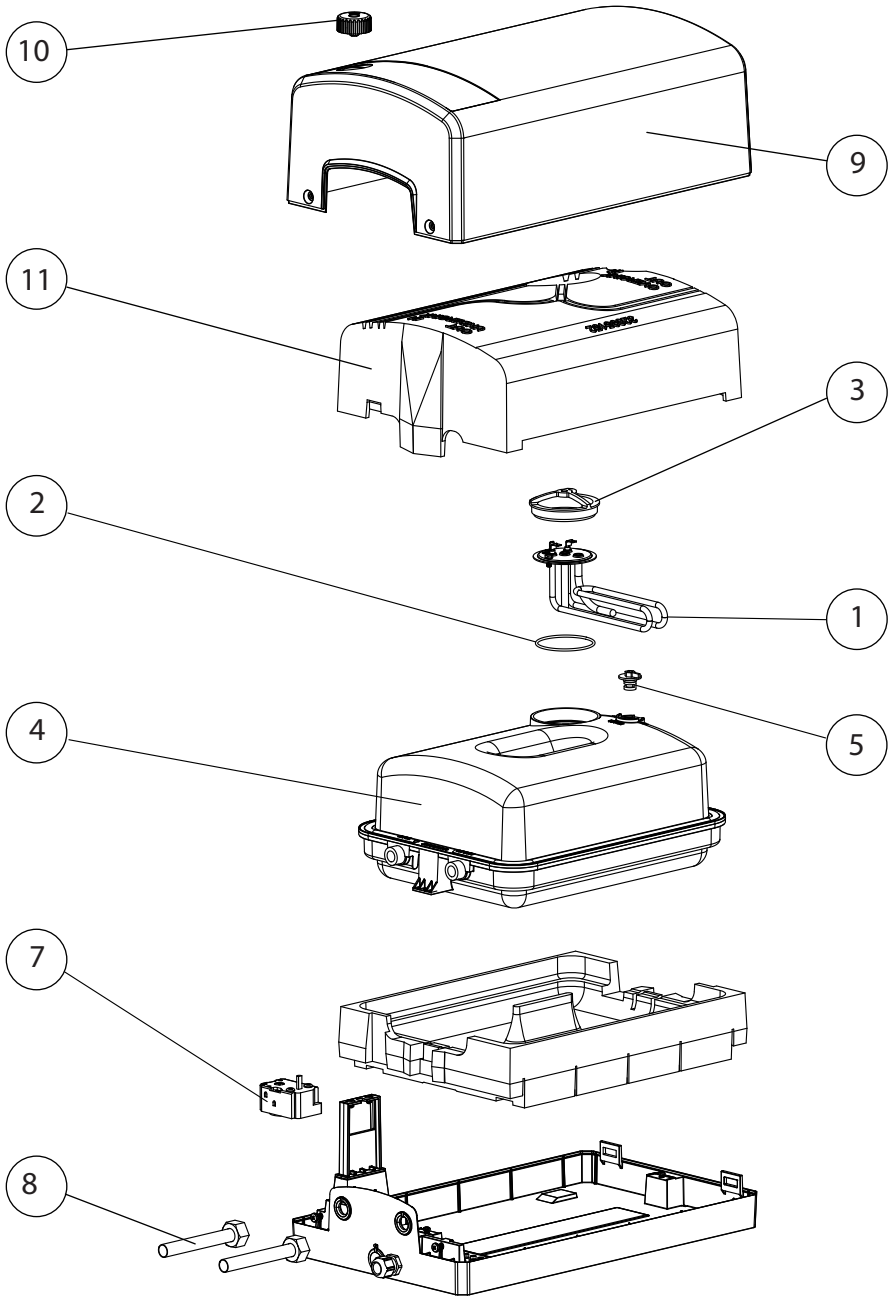
The following comprehensive list of spare parts is available for your Streamline.

Please refer to the Rating Label on the top face of the Streamline before ordering to ensure the correct spare part is obtained.

DO NOT REPLACE WITH PARTS NOT RECOMMENDED BY HEATRAE SADIA. THIS WILL INVALIDATE YOUR GUARANTEE AND MAY RENDER THE INSTALLATION DANGEROUS.

1	1kW Element Plate (with O ring)	95606917
1	3kW Element Plate (with O ring)	95606918
2	EPA O Ring (pack of 10)	95611018
3	EPA Locknut	95607617
4	7 Litre Inner Container	95608028
4	10 Litre Inner Container	95608029
5	Drain Pug (with O ring)	95608929
6	Drain Plug O Ring (pack of 10) - not shown	95611017
7	Thermostat	95612647
8	Adaptor Pipe	95607619
9	7 Litre Front Cover (Undersink)	95614302
9	10 Litre Front Cover (Undersink)	95614304
10	Thermostat Knob	95605091
11	7 Litre Insulation Set	95607330
11	10 Litre Insulation Set	95607331
12	Screw Set (pack of 10) - not shown	95607620
13	Flow restrictor valve - not shown	95605904

FIGURE 12: SPARE PARTS



9.0 GUARANTEE

This Streamline is guaranteed for a period of two years from the date of purchase provided:

1. The Streamline has been installed in accordance with these instructions and all necessary inlet, vent, and electrical connections have been fitted correctly.
2. Any valves or controls are of Heatrae Sadia recommended type.
3. The Streamline has not been tampered with and has been regularly maintained.
4. The Streamline has been used only for heating potable water.

The Streamline is not guaranteed against damage by frost or due to the build up of scale.

Please note that if Heatrae Sadia personnel or agents are requested to descale the Streamline, this work will be chargeable.

This guarantee does not affect the statutory rights of the consumer.

10.0 ENVIRONMENTAL INFORMATION

This product is manufactured from many recyclable materials. At the end of its useful life it should be disposed of at a Local Authority Recycling Centre.

WEEE Declaration

Disposal of Waste Equipment by Users in Private Households in the European Union.



This symbol on the product indicates that this product must not be disposed of with your other household waste. Instead, it is your responsibility to dispose of your waste equipment by handing it over to a designated collection point for the recycling of waste electrical equipment. The separate collection and recycling of your waste equipment at the time of disposal will help to conserve natural resources and ensure that it is recycled in a manner that protects human health and the environment. For more information about where you can drop off your waste equipment for recycling, please contact your local city office, your household waste disposal service or the company where this product was purchased.

11.0 COMMISSIONING RECORD

Installation Date: _____

Model and Serial Number: _____

Installer (Plumbing): _____

Contact Details: _____

Competency Scheme & ID Number: _____

Installer (Electrical): _____

Contact Details: _____

Competency Scheme & ID Number: _____

Comments: _____

Mains supply pressure and flow rate	
Isolation valve fitted	
Flow reducer fitted	
Pipework checked for leaks	
Pipework bonded	
Electrical connections checked	
Thermostat locked	
Thermostat setting	
Water Temperature	

12.0 SERVICE RECORD

Service Date: _____
Engineer: _____
Contact Details: _____
Competency Scheme & ID Number: _____
e-mail: _____
Comments: _____

Service Date: _____
Engineer: _____
Contact Details: _____
Competency Scheme & ID Number: _____
e-mail: _____
Comments: _____

Service Date: _____
Engineer: _____
Contact Details: _____
Competency Scheme & ID Number: _____
e-mail: _____
Comments: _____

Service Date: _____
Engineer: _____
Contact Details: _____
Competency Scheme & ID Number: _____
e-mail: _____
Comments: _____

HEATRAE SADIA

SMARTER | CLEANER | WARMER

Electric Water Heating Co.
2 Horsecroft Place
Pinnacles
Harlow
Essex CM19 5BT
Tel: 0845 0553811
E-Mail: sales@ewh.co.uk

SPD
Special Product Division
Units 9 & 10
Hexagon Business Centre
Springfield Road
Hayes
Middlesex UB4 0TY
Tel: 020 8606 3567

Parts Center
Tel: 0344 292 7057
www.partscenter.co.uk

Newey & Eyre
Unit 3-5 Wassage Way
Hampton Lovett Ind. Estate
Droitwich, Worcestershire
WR9 0NX
Tel: 01905 791500
Fax: 01905 791501

UK Spares Ltd
Unit 1155
Aztec West
Almondsbury
Bristol BS32 4TF
Tel: 01454 620500

Alternatively contact your
local supplying merchant
or wholesale branch or use
our online stockist finder at
www.interpartspares.co.uk

SPECIFICATION ADVICE HOTLINE

t | 01603 420220 e | specifier@heatraesadia.com

AFTER SALES SERVICE

t | 0344 871 1535 e | customer.support@heatraesadia.com

w | heatraesadia.com



OUR NATIONWIDE NETWORK OF CUSTOMER SUPPORT ENGINEERS

Heatrae Sadia has its very own dedicated nationwide network of highly trained customer support engineers so you can have peace of mind that we're always here to help.

PRODUCT RANGE

Full specification details on all our products are available to download from our website.

To support our corporate responsibility and sustainability charters and reduce our printed material we encourage you to download product brochures from our website.

In designing these files we have taken into account the need to access data on screen.

If you would like to receive a printed copy of our full product catalogue please call our literature hotline on 01603 420127.

Heatrae Sadia Heating may introduce modifications to their products from time to time. Consequently, the details given in this brochure are subject to alteration without notice.

Please follow us online:



PN 36006098 Issue 08

© Heatrae Sadia 2016